

# Telemecanique Sensors

## Датчики



Власний імпорт



Telemecanique  
Sensors (раніше  
Schneider Electric)



Спеціальні умови для  
постійних замовників



Найбільший склад в  
Україні



Допомога у виборі



# XMPC06B2131

Pressure sensors XM, pressure sensor XMP, 6 bar, G 1/4 female, 2 NC, ON/OFF knob control



## Main

|                                   |   |
|-----------------------------------|---|
| Range of product                  | Telemecanique Pressure sensors XM   |
| Pressure sensor type              | Electromechanical pressure sensor   |
| Pressure sensor name              | XMP   |
| Pressure rating                   | 6 bar   |
| Fluid connection type             | G 1/4 (female) conforming to ISO 228                                      |
| Controlled fluid                  | Air (0...70 °C)<br>Fresh water (0...70 °C)<br>Sea water (0...70 °C)       |
| Cable entry                       | 2 entries tapped for Pg 13.5 cable gland conforming to NF C 68-300        |
| Contacts type and composition     | 2 NC snap action  |
| Product specific application      | -   |
| Pressure switch type of operation | Regulation between 2 thresholds   |
| Electrical connection             | Screw-clamp terminals, clamping capacity: minimum : 2 x 4 mm <sup>2</sup> |
| Electrical circuit type           | Power circuit   |
| Scale type                        | Adjustable differential   |
| Local display                     | Without   |
| Sale per indivisible quantity     | 1   |

## Complementary

|   |  |
|---|--|
| Adjustable range of switching point on falling pressure | 0.2...4.8 bar  |
| Adjustment range high setting                           | 1...6 bar  |
| Possible differential minimum at low setting            | 0.8 bar  |
| Possible differential minimum at high setting           | 1.2 bar  |
| Possible differential maximum at high setting           | 4.2 bar  |
| Destruction pressure                                    | 30 bar   |
| Type of decompression valve                             | Without  |
| Control type  | ON/OFF knob  |
| Terminal block type                                     | 4 terminals  |
| Pressure actuator                                       | Diaphragm  |
| Materials in contact with fluid                         | Chromated zinc alloy<br>Canvas covered nitrile   |
| Enclosure material                                      | PA impregnated with fibreglass   |
| Operating position                                      | Any position   |
| Maximum operating rate                                  | 10 cyc/mn  |
| Repeat accuracy   | 3.5 %  |
| [Ui] rated insulation voltage                           | 500 V conforming to IEC 60947-1  |
| [Uimp] rated impulse withstand voltage                  | 6 kV conforming to IEC 60947-1   |
| Maximum resistance across terminals                     | 25 MOhm conforming to IEC 60255-7 category 3<br>25 MOhm conforming to NF C 93-050 method A |

The information provided in this documentation contains general descriptions and/or technical characteristics of the performance of the products contained herein. This documentation is not intended as a substitute for and is not to be used for determining suitability or reliability of these products for specific user applications. It is the duty of any such user or integrator to perform the appropriate and complete risk analysis, evaluation and testing of the products with respect to the relevant specific application or use thereof. Neither TWSS Holding nor any of its affiliates or subsidiaries shall be responsible or liable for misuse of the information contained herein.

|                               |   |
|-------------------------------|---|
| Electrical durability         | 1000000 Cycles 1.5 kW, operating rate <10 cyc/mn, load factor: 0.4, 400 V AC 3 phases<br>500000 Cycles 3 kW, operating rate <10 cyc/mn, load factor: 0.4, 400 V AC 3 phases<br>600000 Cycles 1.5 kW, operating rate <10 cyc/mn, load factor: 0.4, 230 V AC 3 phases<br>700000 cycles 2.2 kW, operating rate <10 cyc/mn, load factor: 0.4, 400 V AC 3 phases |
| Mechanical durability         | 1000000 cycles  |
| Setting                       | Nut   |
| Net weight                    | 0.43 kg   |
| Terminals description ISO n°1 | (1-2)NC<br>(3-4)NC  |
| Depth                         | 98 mm   |
| Height                        | 125 mm  |
| Width                         | 57 mm   |

## Environment

|                                       |  |
|---------------------------------------|--|
| Product certifications                | EAC  |
| Standards                             | CE<br>IEC 60947-4-1                                |
| Ambient air temperature for operation | -25...70 °C  |
| Ambient air temperature for storage   | -40...70 °C  |
| Vibration resistance                  | 3 gn conforming to IEC 60068-2-6 (f = 10...500 Hz) |
| Shock resistance                      | 50 gn conforming to IEC 60068-2-27                 |
| Electrical shock protection class     | Class I conforming to IEC 60536                    |
| IP degree of protection               | IP54 conforming to IEC 60529                       |

## Packing Units

|                              |         |
|------------------------------|---------|
| Unit Type of Package 1       | PCE     |
| Number of Units in Package 1 | 1       |
| Package 1 Height             | 6.5 cm  |
| Package 1 Width              | 12.0 cm |
| Package 1 Length             | 17.0 cm |
| Package 1 Weight             | 476.0 g |

## Offer Sustainability

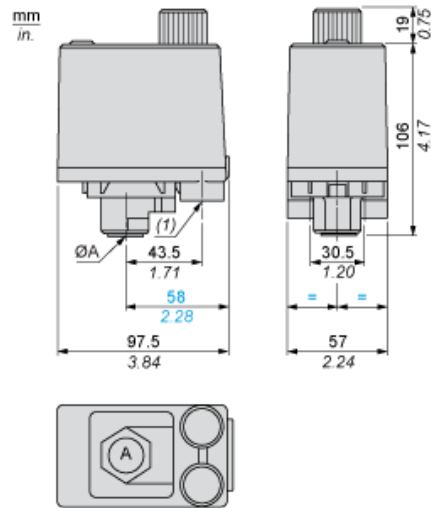
|  |   |
|--|---|
| Sustainable offer status                   | Green Premium product   |
| Circularity Profile                        | No need of specific recycling operations  |
| California proposition 65                  | WARNING: This product can expose you to chemicals including: Diisononyl phthalate (DINP), which is known to the State of California to cause cancer, and Di-isodecyl phthalate (DIDP), which is known to the State of California to cause birth defects or other reproductive harm. For more information go to <a href="http://www.P65Warnings.ca.gov">www.P65Warnings.ca.gov</a> |
| For all Reach Rohs enquiries contact us at | <a href="mailto:sustainability@tesensors.com">sustainability@tesensors.com</a>  |

## Contractual warranty

|          |           |
|----------|-----------|
| Warranty | 18 months |
|----------|-----------|

Dimensions

Without Decompression Valve



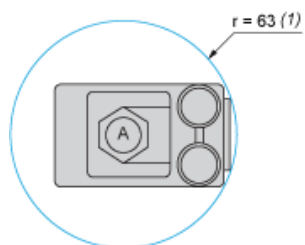
ØA = G 1/4

(1) 2 tapped entries for Pg 13.5

---

Minimum Mounting Clearance

---



$\text{ØA} = \text{G}1/4$

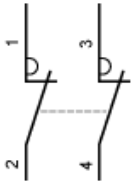
(1) Minimum clearance zone for screwing-on pressure switch at point A

---

## Wiring Diagram

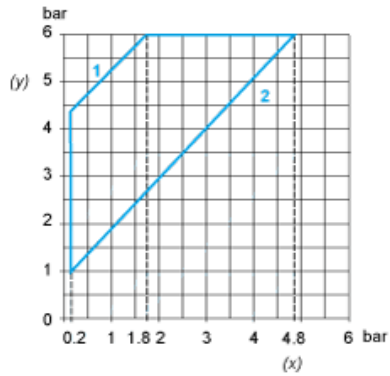
---

### Terminal Connections

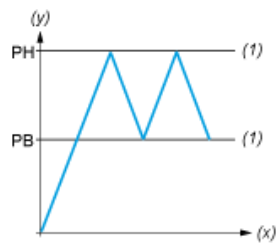


Curves

Operating Curves



- (y) Rising pressure
- (x) Falling pressure
- 1 : Maximum differential
- 2 : Minimum differential



- (y) Pressure
- (x) Time
- (1) Adjustable value
- PH : High point
- PB : Below point

Аурум-Електро – більше 10 років  
офіційний імпортер та сервісний центр

**Номер телефону**

099-35-90-777  
096-35-90-777

**E-mail**

shop@aurum-electro.com.ua



**Офіційна адреса сайту**

[www.shop.aurum-electro.com.ua](http://www.shop.aurum-electro.com.ua)